



JOB NAME:	CONTRACTOR:
JOB LOCATION:	APPROVAL:
ENGINEER:	CONTRACTOR P.O.:
APPROVAL:	REPRESENTATIVE:

DAPVCBFVE

PVCBFVE DIRECT MOUNT, FULL PORT PVC BUTTERFLY VALVE W EPDM SEAT AND DOUBLE ACTING PNEUMATIC ACTUATOR SIZES 2" TO 12"

DAPVCBFVV - VITON

SRPVCBFVE

PVCBFVE DIRECT MOUNT, FULL PORT PVC BUTTERFLY VALVE W EPDM SEAT AND SPRING RETURN PNEUMATIC ACTUATOR SIZES 2" TO 12"

SRPVCBFVV - VITON

SPECIFICATIONS

The DAPVCBFV/SRPVCBFV series pneumatic package features the compact and lightweight PVCBFV ANSI class 150 PVC Butterfly valve with a 410 stainless steel stem with a PVC body and disc and EPDM seats standard. The PVCBFV also includes an ISO 5211 mounting pattern on top for direct mounting ideal for actuation.

The Valbia pneumatic actuator comes with a hard-anodized aluminum body, and powder coated end caps. In addition, all Valbia pneumatic actuators are standardly furnished with elevated temperature seals to 302°F. The patented side loaded limit stops never enter the piston chamber eliminating extra possible leak paths.

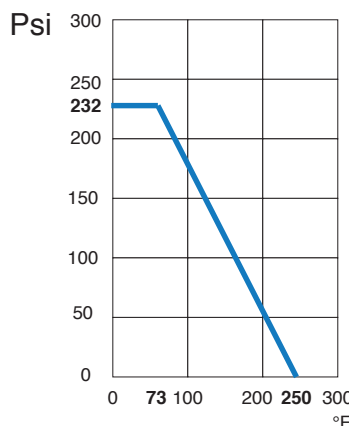
ACTUATOR FEATURES

- Hard anodized extruded aluminum body
- Concentric spring sets
- Die cast aluminum end caps
- Solid steel barstock pinion (not casting)
- 0°-90° rotation adjustment cam
- 0°-90° rotation adjustment bolts
- POM piston guides
- Minimum air pressure rating: 80 psi
- Maximum air pressure rating: 116 psi
- Working temperature: -4°F - 302°F
- No lubrication maintenance required for the entire actuator lifetime
- 100% factory tested

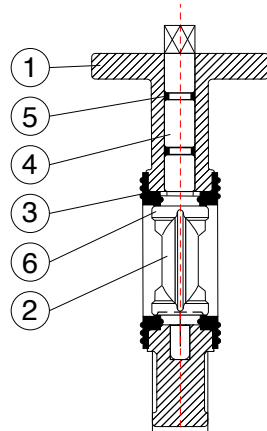
VALVE FEATURES

- Corrosion resistant thermoplastic body and disc
- Compact and light weight design
- Standard EPDM seats (Viton seats optional)
- Full boot seal for durable performance
- ANSI B16.5 Class 150 Flange Pattern
- ISO 5211 compliant mounting pattern for actuators or gear operators
- Pressure rating: 150 psi non-shock wafer at 73°F 2-10", 100 psi for 12"
- With its robust boot/seal design, no flange gaskets are required
- 100% Bubble tight seal

PRESSURE TEMPERATURE CHART FOR PVCBFVE

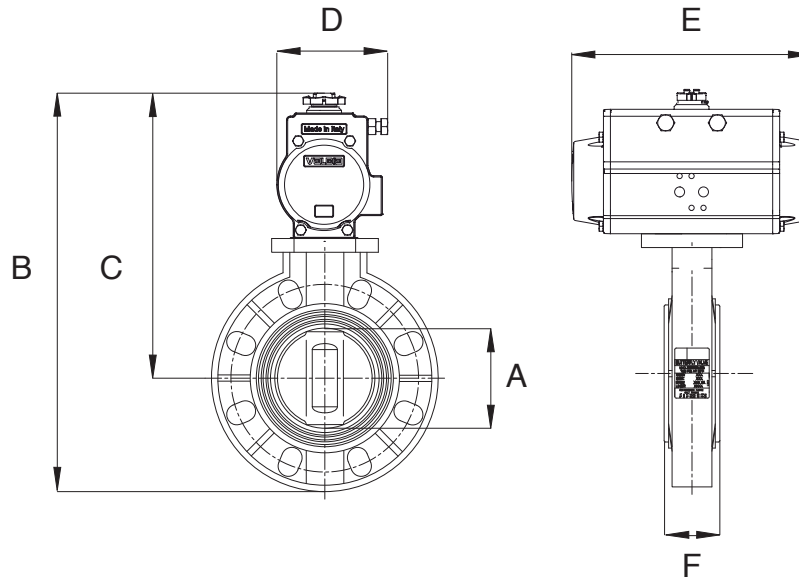


BILL OF MATERIALS FOR PVCBFVE



N POS	PART NAME	MATERIAL	N PCS
1	BODY	PVC	1
2	DISC	PVC	1
3	SEAL	EPDM VITON	1
4	STEM	SUS 410	1
5	STEM O-RING	EPDM	1
6	DISC O-RING	EPDM	1

DIMENSIONS



DAPVCBFVE

WITH DOUBLE ACTING ACTUATOR

SIZE	A	B	C	D	E	F	ACT.
2"	2.22	11.31	7.25	2.80	5.55	1.69	DA52V
3"	2.74	12.54	8.09	3.17	6.46	1.81	DA63V
4"	3.13	13.63	9.10	3.72	8.27	2.20	DA75V
6"	6.02	18.29	11.32	4.17	9.47	2.78	DA85V
8"	7.88	21.23	12.96	4.84	10.83	3.35	DA100V
10"	10.03	31.17	17.49	5.83	14.65	4.29	DA125V
12"	12.25	37.57	20.63	6.46	17.13	5.24	DA140V

SRPVCBFVE

WITH SPRING RETURN ACTUATOR

SIZE	A	B	C	D	E	F	ACT.
2"	2.22	11.76	7.70	3.17	6.46	1.69	SR63V
3"	2.74	13.80	9.35	4.17	9.47	1.81	SR85V
4"	3.13	14.68	10.15	4.84	10.83	2.20	SR100V
6"	6.02	20.15	13.18	5.39	13.11	2.78	SR115V
8"	7.88	23.96	15.69	6.46	17.13	3.35	SR140V
10"	10.03	34.26	20.58	8.38	19.41	4.29	SR180V
12"	12.25	40.76	23.82	8.54	22.76	5.24	SR200V